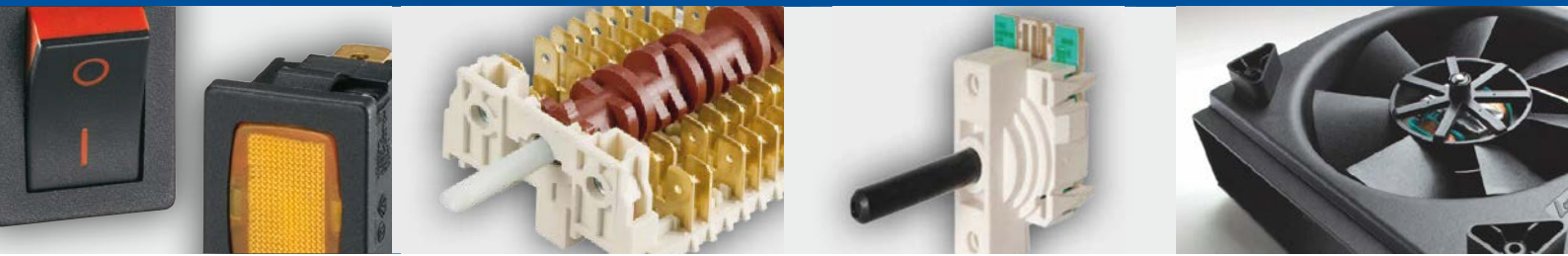


30 **CVEREL**

THE WORLD IN A CLICK



PUSH-BUTTON SWITCHES



Dreefs

 **SIGNAL LUX**

givem

M MOLVENO

 **KAUTT & BUX**

Push-Button Switches

01



SXL4

72



DY1

86



SCA

74



DY2

88



P1

76



DY
Accessories

90



SP60

78



SPM

92



SP63

80



TOUCH

94



SXL5

82



RFIT

96



LITE

84



SXL4

TYPICAL APPLICATIONS Coffee machines, washing machines

- FUNCTIONS**
- SPST, momentary or not
 - SPST, illuminated or not
 - DPST, momentary or not
 - DPST, illuminated or not

CYCLE No. 50.000

CUT OUT 19x13 mm

AMBIENT TEMPERATURE 125 °C

GWT 850 °C

GWT NO FLAME (<2sec) 750 °C



S X L 4 ?

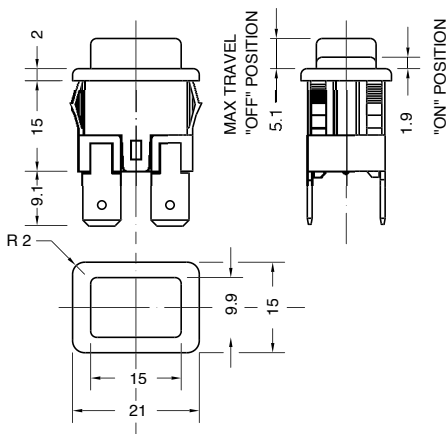
?

DRAWING

TERMINAL



1 FLAT



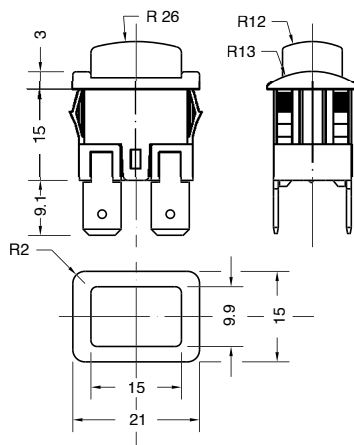
1 Drawing 1 - 2 - 3 Vertical terminal 6.3x0.8



A Drawing 1 Horizontal terminal 6.3x0.8



2 BOWL



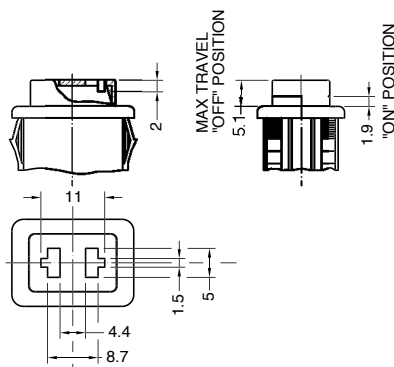
2 Drawing 1 - 2 - 3 Vertical terminal 4.8x0.8



B Drawing 1 - 3 Horizontal terminal 4.8x0.8

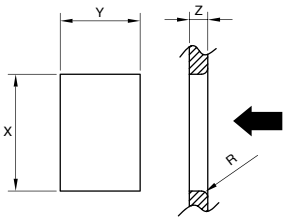


3 CUSTOMIZABLE

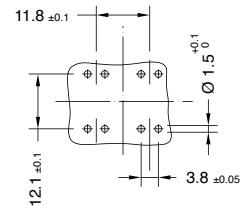
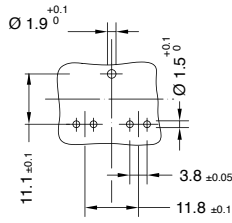


4 Drawing 1 - 2 Vertical PCB terminal





Z	Y	X
0,5-1,2	12,9 ^{+0,1} ₀	19,0 ^{+0,2} ₀
1,2-2,0	12,9 ^{+0,1} ₀	19,3 ^{+0,2} ₀
2,0-3,0	12,9 ^{+0,1} ₀	19,6 ^{+0,2} ₀



DRAWING	TERMINAL	FUNCTION	RATING	BODY COLOUR	BUTTON COLOUR	MARKING COLOUR	MARKING
S	X	L	4				
							0 0 0 W

?	?	?	?	?	?	0	0	0	W
---	---	---	---	---	---	---	---	---	---

FUNCTION RATING BODY COLOUR BUTTON COLOUR MARKING COLOUR MARKING

1

2

4

6 No drawing 3

7

8 No drawing 3

H

16 (4) A / 250 VAC
 10 (6) A / 250 VAC - 5E4
 T125/55 °C
 EN 61058

16 A - 125 / 250 VAC
 3/4 HP - 125 / 250 VAC
 T100 °C
 UL 1054

9

12 (8) A / 250 VAC - 5E4
 T85/55 °C
 EN 61058

1 black

2 white

X ? custom

Drawing 1 - 3

1 black

2 white

Drawing 1 - 2

M white

N black

R red

0 none

1 black

2 white

X ? custom

0

1

R

X

ILLUMINATED

G red

H orange

E green

L white

F blue

X ? custom



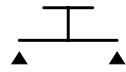
SCA



0 5 8 4



FUNCTION



TYPICAL APPLICATIONS Ironing systems

FUNCTIONS ■ SPST momentary

CYCLE No. 50.000

CUT OUT 19x13 mm

AMBIENT TEMPERATURE 120 °C

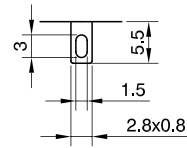
GWT 850 °C

GWT NO FLAME (<2sec) 750 °C on demand

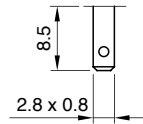
?

TERMINAL

0



4



?

RATING

2

2 (1) A / 250 VAC
1 (0.5) A / 250 VAC - 5E4
T120 °C
EN 61058

2 A - 125 / 250 VAC
T65 °C
UL 1054
CSA C22.2

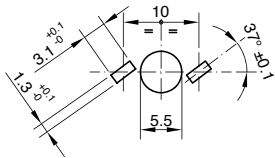
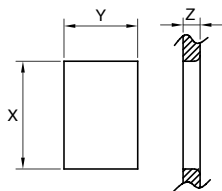
4

6 (4) A / 250 VAC
5 (2) A / 250 VAC - 5E4
T120 °C
EN 61058

6

10 (4) A / 250 VAC
5 (2) A / 250 VAC - 5E4
T120 °C
EN 61058

6 A - 125 / 250 VAC
1/6 HP - 250 VAC
1/8 HP - 125 VAC
T65 °C
UL 1054
CSA C22.2



Z	Y	X
0,70 ... 1,25	13,0 ±0,1	19,0 ±0,1
1,25 ... 2,0	13,0 ±0,1	19,3 ±0,2
2,0 ... 3,0	13,0 ±0,1	19,6 ±0,2

0	5	8	4	TERMINAL	RATING	DRAWING	BODY COLOUR	BUTTON COLOUR	MARKING COLOUR	MARKING	0	0

?

DRAWING

?

BODY COLOUR

?

BUTTON COLOUR

?

MARKING COLOUR

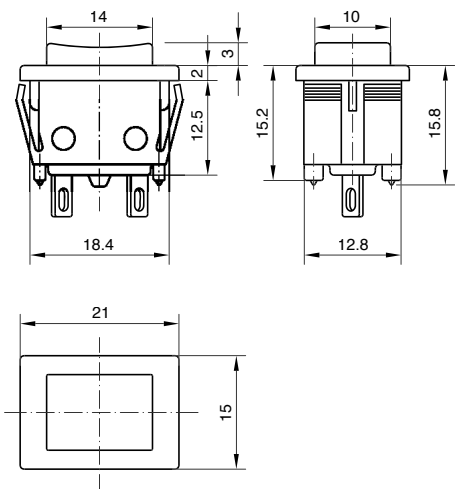
?

MARKING

0

0

A Mat



1 black

1 black

0 none

0

2 white

2 white

1 black



X ? custom

X ? custom

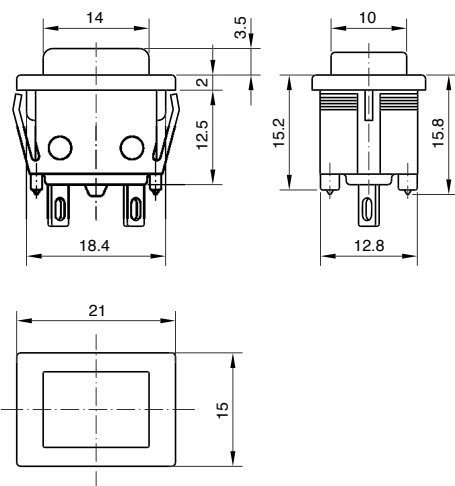
2 white

X



X ? custom

B Gloss





P1

TYPICAL APPLICATIONS Cooking, small appliances, HVAC

FUNCTIONS

- SPST momentary, illuminated or not
- DPST momentary

CYCLE No. 50.000

CUT OUT ø 16 mm

AMBIENT TEMPERATURE 125 °C

GWT 850 °C

GWT NO FLAME (<2sec) 750 °C on demand



P

1

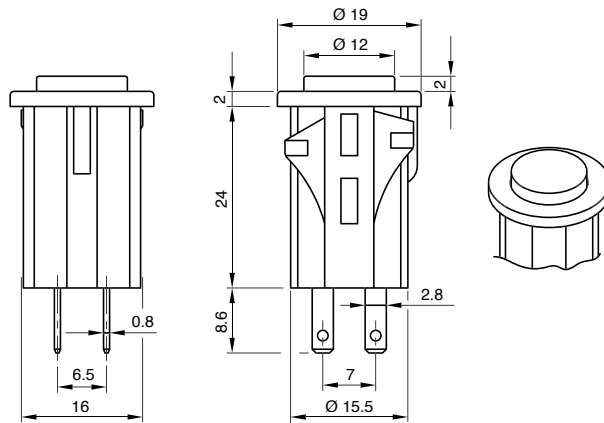
?

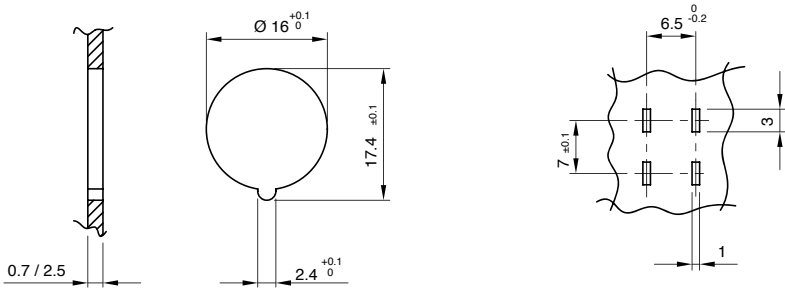
DRAWING



WATERPROOF CAP

2





P	1	DRAWING	FUNCTION	RATING	BODY COLOUR	BUTTON COLOUR	MARKING COLOUR	MARKING	0	0	0
---	---	---------	----------	--------	-------------	---------------	----------------	---------	---	---	---

?	?	?	?	?	?	?	?	0	0	0
---	---	---	---	---	---	---	---	---	---	---

FUNCTION **RATING** **BODY COLOUR** **BUTTON COLOUR** **MARKING COLOUR** **MARKING**

4

7

N

P

3

3 (1) A / 250 VAC
0.5 A / 250 VAC - 5E4
T125 °C
EN 61058

On demand
2A/125 VAC
T65 °C
UL 1054

1

black

2

white

X **?**

custom

1

black

2

white

5

grey

9

red

ILLUMINATED

G

red

X **?**

custom

0

none

1

black

2

white

X **?**

custom

0

7

8

X



SP60

TYPICAL APPLICATIONS Vacuum and steam cleaners

FUNCTIONS

- SPST, momentary or not
- SPST, illuminated or not
- DPST, illuminated or not

CYCLE No. 50.000

CUT OUT ø 25 mm

AMBIENT TEMPERATURE 120 °C

GWT 850 °C

GWT NO FLAME (<2sec) 750 °C on demand



S P 6 0

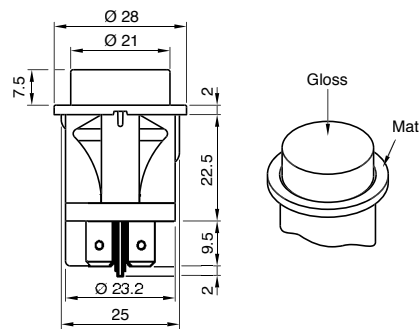
?

DRAWING

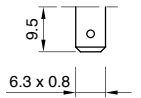
TERMINAL



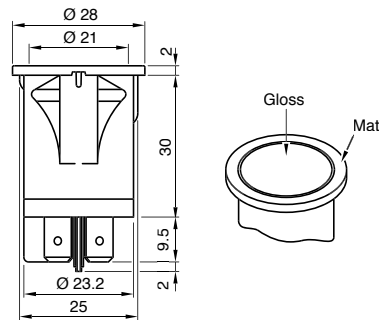
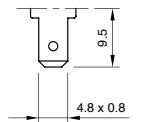
WATERPROOF CAP



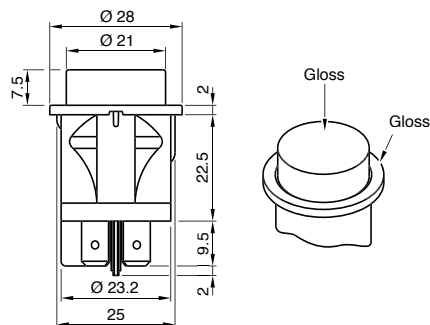
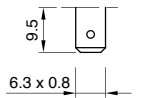
1



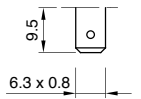
A



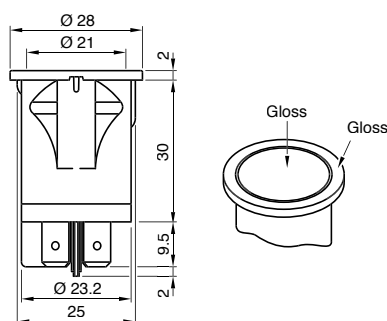
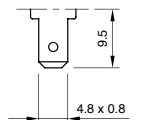
2



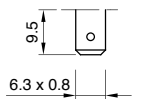
4

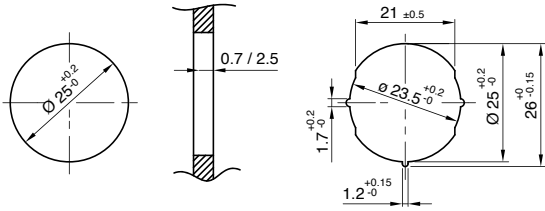


D



5





S	P	6	0	TERMINAL	FUNCTION	RATING	BODY COLOUR	BUTTON COLOUR	MARKING COLOUR	MARKING	0	0
---	---	---	---	----------	----------	--------	-------------	---------------	----------------	---------	---	---

?	?	?	?	?	?	?	0	0
---	---	---	---	---	---	---	---	---

FUNCTION RATING BODY COLOUR BUTTON COLOUR MARKING COLOUR MARKING

1

2

4

6

8

7

16 (6) A / 250 VAC
 10 (4) 250 VAC - 5E4
 10 (4) A / 400 VAC
 T120/55 °C
 EN 61058

16 A - 125 / 250 VAC
 1/4 HP / 125 VAC
 1/2 HP / 250 VAC
 T95 °C
 UL 1054

C

16 (6) A / 250 VAC
 10 (4) 250 VAC - 5E4
 10 (4) A / 400 VAC
 T120/55 °C
 EN 61058

1 black

2 white

X custom

M white

N black

R red

ILLUMINATED

G red

H orange

E green

L white

X custom

No lens

0

0 none

1 black

2 white

X custom

0

7

D

E

K

X

ACCESSORIES



Other colours available on demand.



SP63

TYPICAL APPLICATIONS Vacuum and steam cleaners

FUNCTIONS

- SPST, momentary or not
- SPST, illuminated or not
- DPST illuminated

CYCLE No. 50.000

CUT OUT 27x22 mm

AMBIENT TEMPERATURE 120 °C

GWT 850 °C

GWT NO FLAME (<2sec) 750 °C on demand



S

P

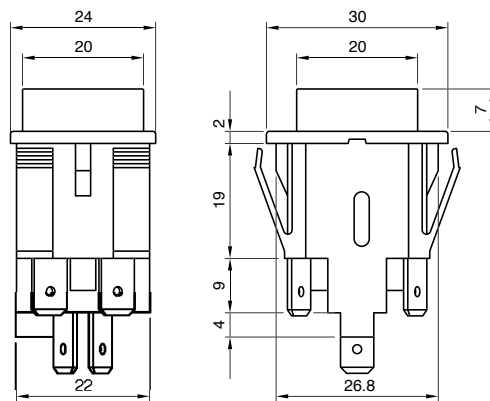
6

3

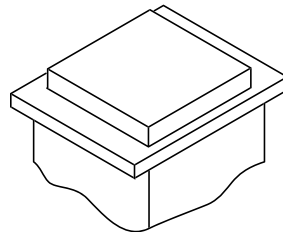
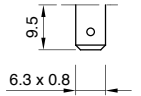
?

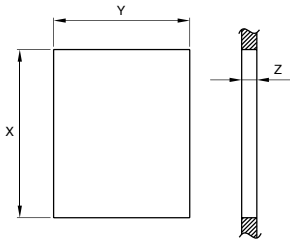
DRAWING

TERMINAL



1





Z	Y	X
0,7 ... 2,5	22,2 ^{+0,3} ₀	27,2 ^{+0,3} ₀

S	P	6	3	TERMINAL	FUNCTION	RATING	BODY COLOUR	BUTTON COLOUR	MARKING COLOUR	MARKING	0	0

?	?	?	?	?	?	?	0	0
---	---	---	---	---	---	---	---	---

FUNCTION RATING BODY COLOUR BUTTON COLOUR MARKING COLOUR MARKING

4

6

8

N

C
 16 (6) A / 250 VAC
 10 (4) A / 250 VAC - 5E4
 10 (4) A / 400 VAC
 T120 °C
 EN 61058

1 black

X custom

M white

N black

R red

ILLUMINATED

G red

H orange

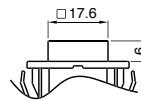
E green

L white

X custom

No lens

0



0 none

1 black

2 white

X custom

0

4

7

X

ACCESSORIES



SP63T1E0000



SP63T1G0000



SP63T1H0000

Other colours available on demand.



SXL5

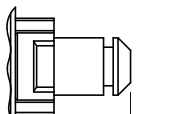
TYPICAL APPLICATIONS	Vacuum cleaners, washing machines, dishwashers, hydrocleaners
FUNCTIONS	<ul style="list-style-type: none"> ■ SPST, momentary or not ■ DPST, momentary or not
CYCLE No.	50.000
CUT OUT	Rear panel
AMBIENT TEMPERATURE	125 °C
GWT	850 °C
GWT NO FLAME (<2sec)	750 °C



S X L 5 ?

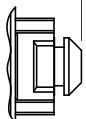
TRAVEL POSITION

OFF position



Max travel

5,1 ±0,2



ON position

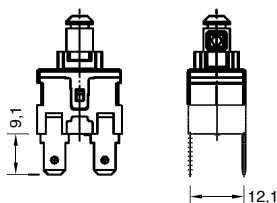
3,2 ±0,2



DRAWING

1

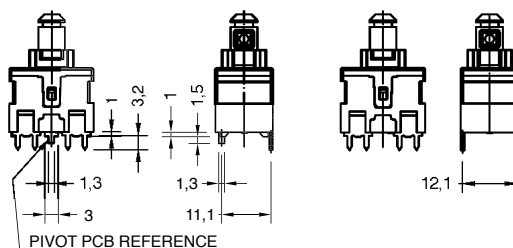
Vertical tab terminals



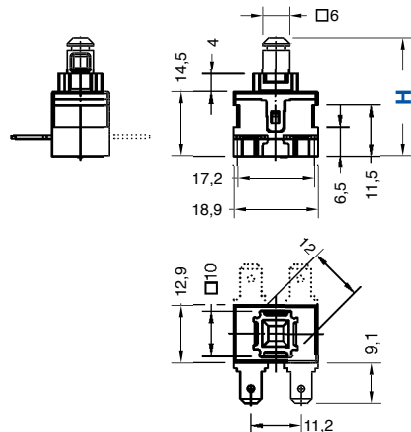
Vertical PCB terminals

Single pole version

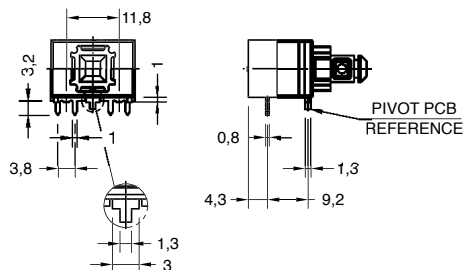
Double pole version



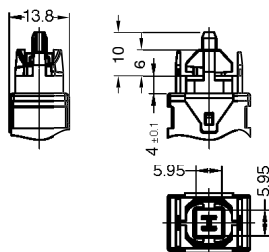
Horizontal tab terminals



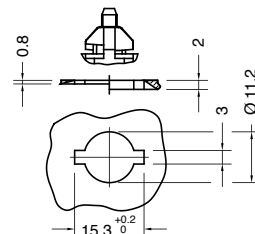
Horizontal PCB terminals



2



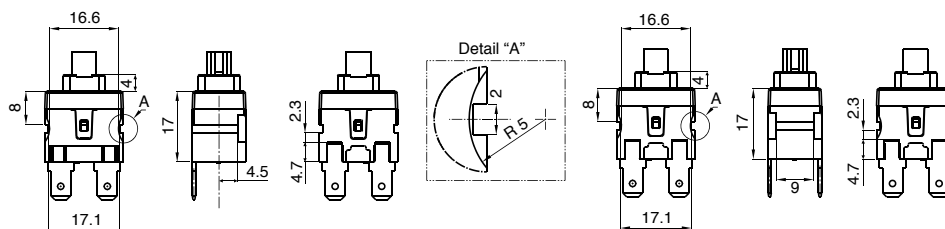
Wings fixing

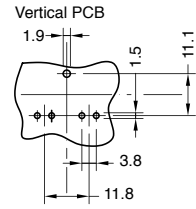
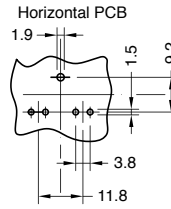
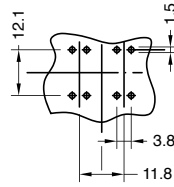
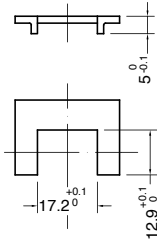
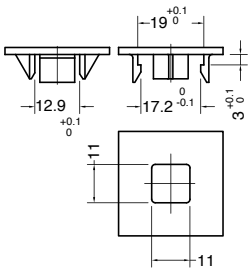


3

Single pole version

Double pole version





DRAWING TERMINAL SHAFT FUNCTION RATING

S	X	L	5						0	0	0	W
---	---	---	---	--	--	--	--	--	---	---	---	---

?

TERMINAL

1 Drawing 1 - 2 - 3
Vertical terminal
6.3x0.8



A Drawing 1 - 3
Horizontal terminal
6.3x0.8



2 Drawing 1 - 2 - 3
Vertical terminal
4.8x0.8



B Drawing 1 - 3
Horizontal terminal
4.8x0.8



4 Drawing 1 - 2
Vertical PCB terminal



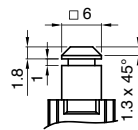
D Drawing 1
Horizontal PCB terminal
only function 1 - 4



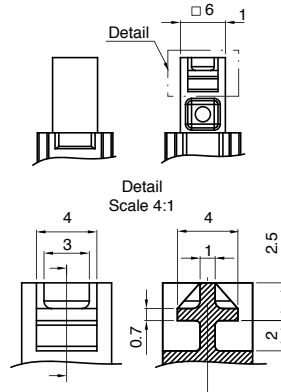
?

SHAFT

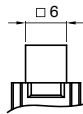
A H = 26.5
Available with drawings 1 and 2



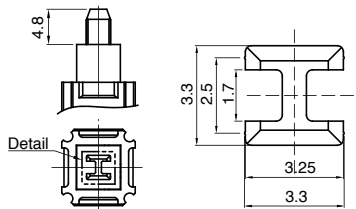
B H = 28.5



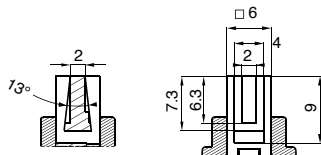
C H = 24
Available with drawings 1 and 2



D H = 28.5

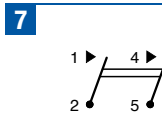
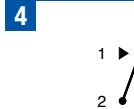
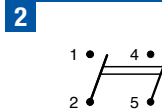


E H = 26.5



?

FUNCTION



?

RATING

H
12 (8) A / 250 VAC
16 (4) A / 250 VAC
10 (6) A / 250 VAC - 5E4
T125/55 °C
EN 61058 / CQC

16 A - 125 / 250 VAC
3/4 HP - 125 / 250 VAC
T100 °C
UL 1054

9
12 (8) A / 250 VAC - 5E4
T85/55 °C
EN 61058

16 A - 125 / 250 VAC
3/4 HP - 125 / 250 VAC
T100 °C
UL 1054

0	0	0	W
---	---	---	---



LITE

TYPICAL APPLICATIONS Coffee machines

FUNCTIONS ■ SPST, illuminated or not
■ DPST illuminated

CYCLE No. 50.000

CUT OUT 19x13 mm rear panel

AMBIENT TEMPERATURE 125 °C

GWT 850 °C

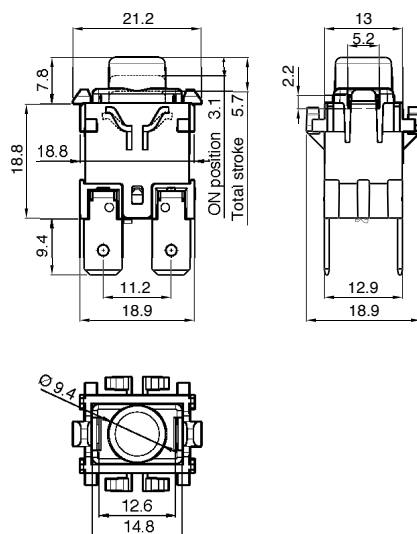
GWT NO FLAME (<2sec) 750 °C



L I T E ?

DRAWING

1



?

TERMINAL

1 Vertical terminal
6.3x0.8

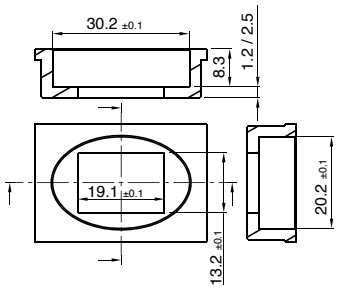


2 Vertical terminal
4.8x0.8



A Horizontal terminal
6.3x0.8





L	I	T	E	DRAWING	TERMINAL	AESTHETIC	FUNCTION	RATING	LENS COLOUR	LAMP COLOUR	0	0	0
---	---	---	---	---------	----------	-----------	----------	--------	-------------	-------------	---	---	---

?	?	?	?	?	0	0	0
---	---	---	---	---	---	---	---

AESTHETIC

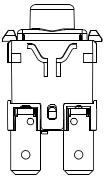
FUNCTION

RATING

LENS COLOUR

LAMP COLOUR

A



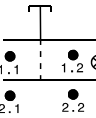
1



5



8



C

16 (6) A / 250 VAC
12 (10) A / 250 VAC
8 (8) A / 250 VAC - 5E4
T125/55 °C
EN 61058

16 A - 125 / 250 VAC
1/2 HP - 125 VAC
3/4 HP - 250 VAC
T100 °C
UL 1054

L

colourless

O

no lamp

G

red

E

green

ACCESSORIES



LITET1N0000



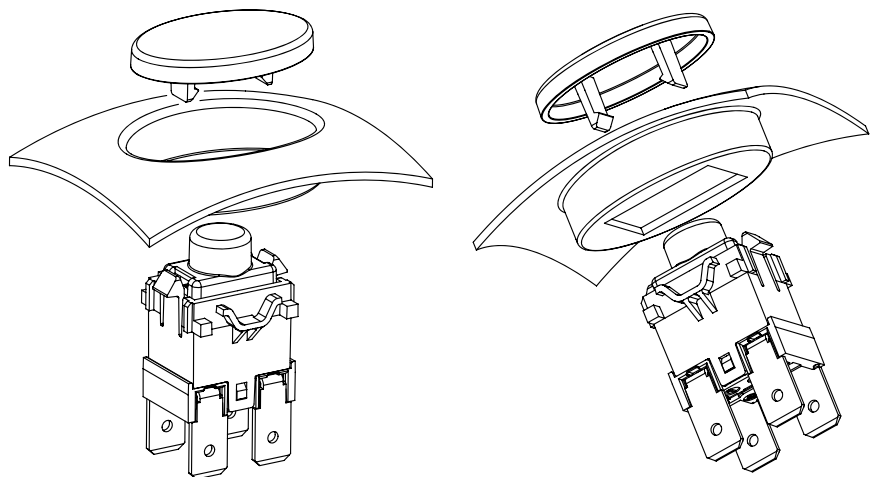
LITET1M0000



LITET1E0000



LITET1G0000





DY1

TYPICAL APPLICATIONS Cooking, washing, coffee machines

FUNCTIONS ■ SPST, momentary or not
■ SPDT, momentary or not

CYCLE No. 50.000

CUT OUT Rear panel

AMBIENT TEMPERATURE 125 °C

GWT 850 °C

GWT NO FLAME (<2sec) 750 °C

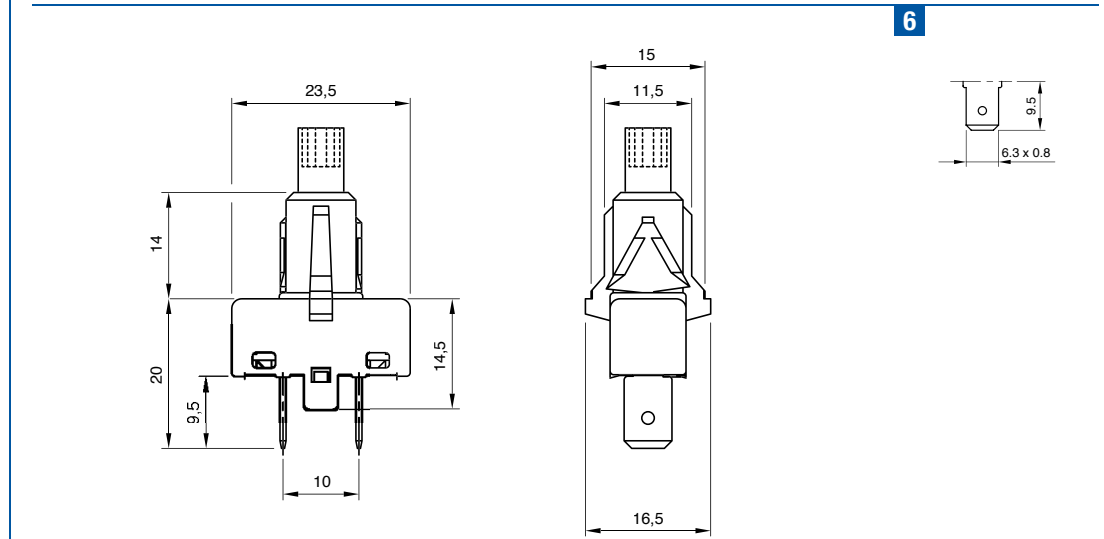
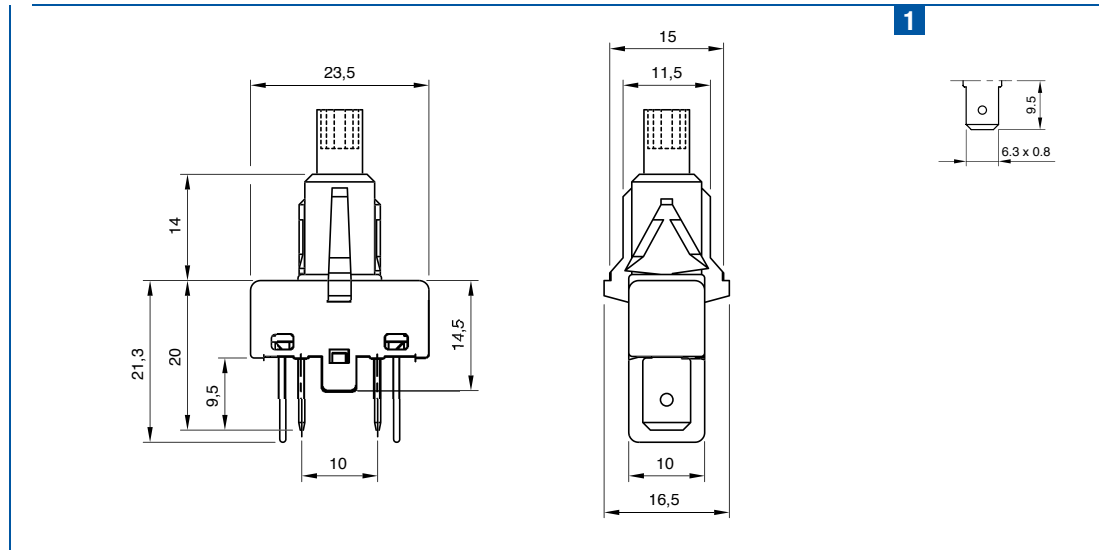


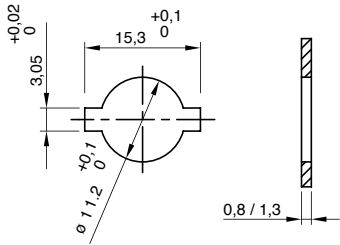
D Y 1

?

DRAWING

TERMINAL





	TERMINAL	SHAFT	LATCHING FUNCTION	FUNCTION		RATING			
D	Y	1					0	0	0

?

SHAFT

?

LATCHING FUNCTION

? ?

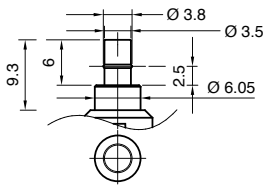
FUNCTION

?

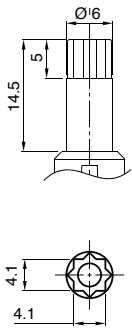
0 0 0

RATING

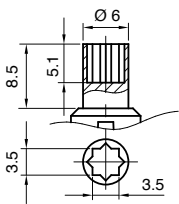
E



G



K



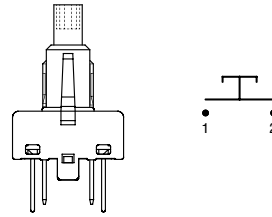
S Push to On - Push to Off



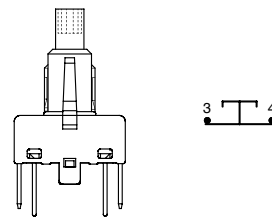
M Momentary



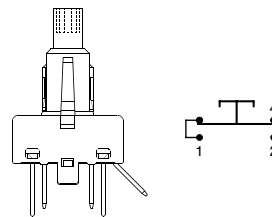
10



60



30



E

Function 10
16 (6) A / 250 VAC
10 (4) A / 250 VAC - 5E4
T125/55 °C
6 (2) A / 250 VAC
T150/55 °C
EN 61058

13 A / 250 VAC
 3/4 HP - 250 VAC
 1/3 HP - 125 VAC
 T65 °C
 UL 1054

Function 60
16 (6) A / 250 VAC
10 (4) A / 250 VAC - 5E4
T125/55 °C
EN 61058

13 A / 250 VAC
 3/4 HP - 250 VAC
 1/3 HP - 125 VAC
 T65 °C
 UL 1054

N

Function 30
12 (4) A / 250 VAC
10 (4) A / 250 VAC - 5E4
T125/55 °C
 μ disconnection
EN 61058

13 A / 250 VAC
 3/4 HP - 250 VAC
 1/3 HP - 125 VAC
 T65 °C
 UL 1054



DY2



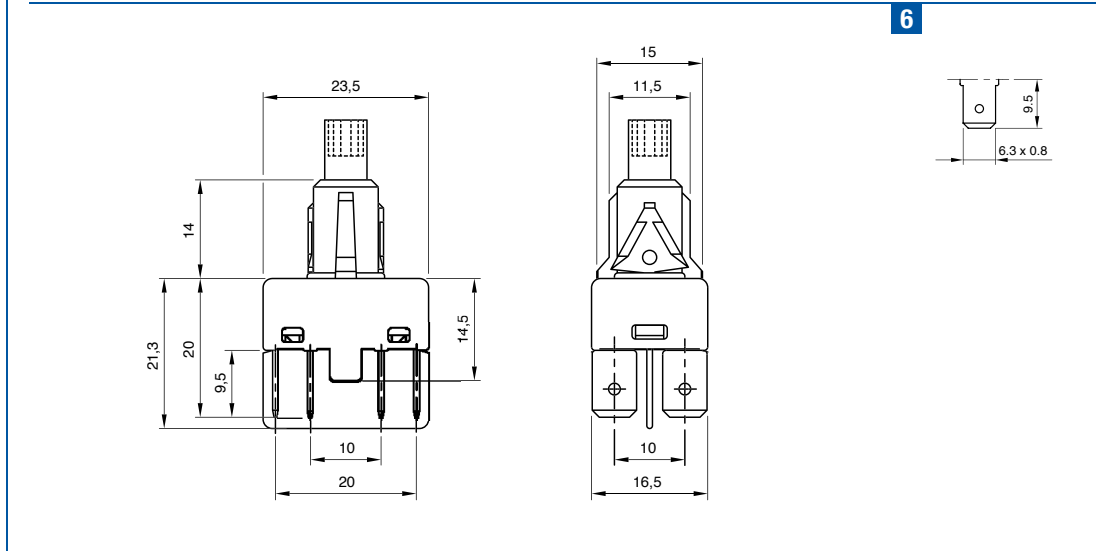
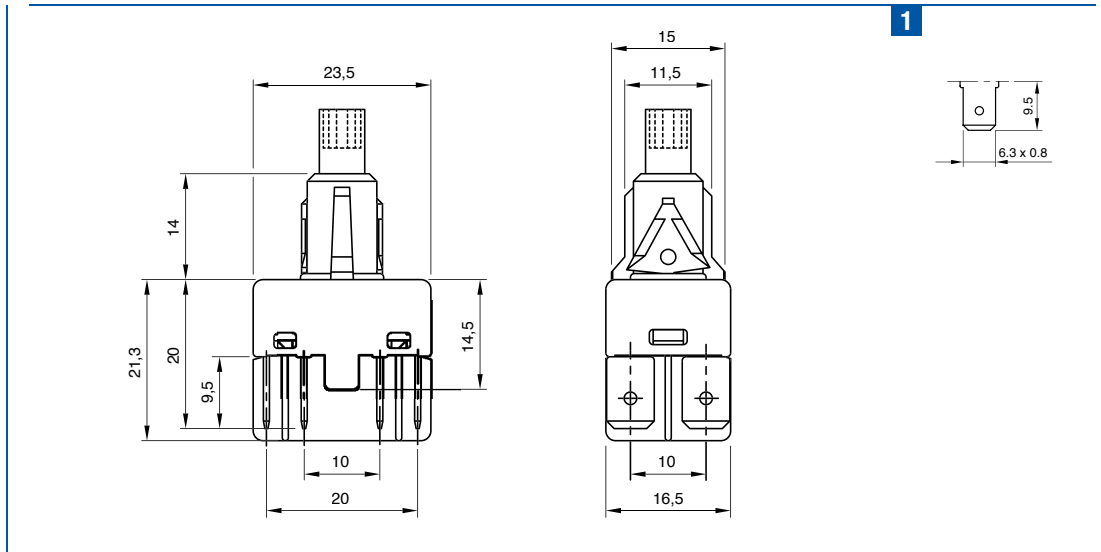
TYPICAL APPLICATIONS	Cooking, washing, coffee machines
FUNCTIONS	<ul style="list-style-type: none"> ■ DPST, momentary or not ■ SPST+SPDT, momentary or not
CYCLE No.	50.000
CUT OUT	Rear panel
AMBIENT TEMPERATURE	125 °C
GWT	850 °C
GWT NO FLAME (<2sec)	750 °C

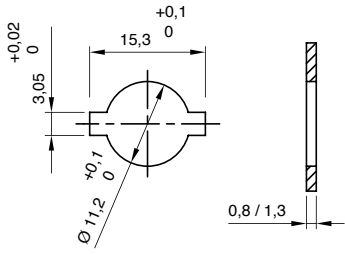
D **Y** **2**

DRAWING

?

TERMINAL





	TERMINAL	SHAFT	LATCHING FUNCTION	FUNCTION	RATING			
D	Y	2				0	0	0

?

SHAFT

?

LATCHING FUNCTION

? ?

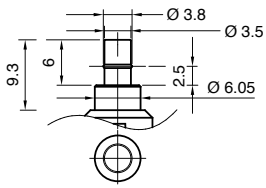
FUNCTION

?

RATING

0 0 0

E



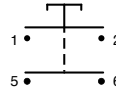
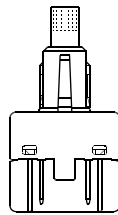
S Push to On - Push to Off



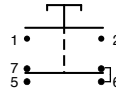
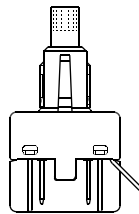
M Momentary



11



13



E

Function 11

16 (6) A / 250 VAC
10 (4) A / 250 VAC - 5E4
T125/55 °C
EN 61058

13 A / 250 VAC
3/4 HP - 250 VAC
1/3 HP - 125 VAC
T65 °C
UL 1054

P

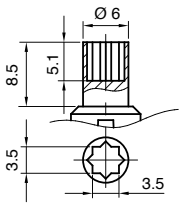
Function 13

- Side switch (1-2)
16 (6) A / 250 VAC
10 (4) A / 250 VAC - 5E4
T125/55 °C
EN 61058

- Side changeover (5-6-7)
12 (4) A / 250 VAC
10 (4) A / 250 VAC - 5E4
T125/55 °C
μ disconnection
EN 61058

13 A / 250 VAC
T65 °C
UL 1054

K





DYST

Accessories for DY series

TYPICAL APPLICATIONS Cooking, washing, coffee machines

CUT OUT See drawing

AMBIENT TEMPERATURE up to 125 °C

GWT 850 °C

D	Y	S	T	TYPE	BODY COLOUR	0	0	0	0
---	---	---	---	------	-------------	---	---	---	---

D	Y	S	T	?	?	0	0	0	0
---	---	---	---	---	---	---	---	---	---

CUT OUT

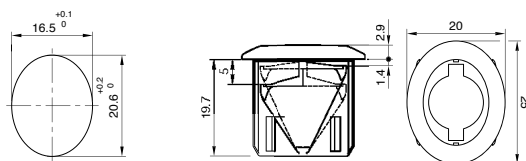
DRAWING

TYPE

BODY COLOUR



Oval body



5 Standard

7 Painted

Standard

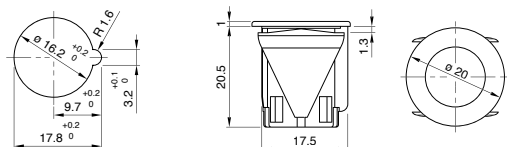
1 black

2 white

Painted

1 chrome

Round body with antirotation rib

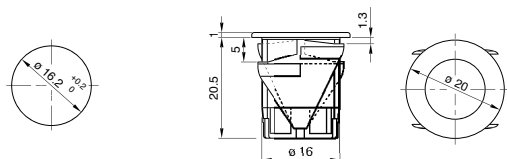


1 Standard

9 Painted

X ?
custom

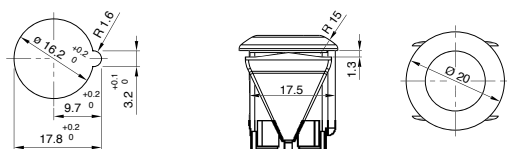
Round body



3 Standard

8 Painted

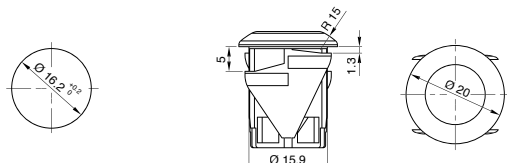
Soft Round body with antirotation rib



G Standard

S Painted

Soft Round body



L Standard

T Painted



DYT

Accessories for DY series

TYPICAL APPLICATIONS	Cooking, washing, coffee machines
CUT OUT	See drawing
AMBIENT TEMPERATURE	55 °C
GWT	850 °C

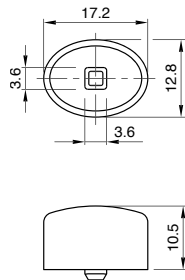
D	Y	T						0	0

D	Y	T	?	?	?	?	?	0	0
---	---	---	---	---	---	---	---	---	---

DRAWING **TYPE** **BUTTON COLOUR** **MARKING COLOUR** **MARKING**



Oval button



5K Standard

7K Painted

Standard

- 1** black
- 2** white

Painted

- 1** chrome

0
none

1 black

2 white

X custom

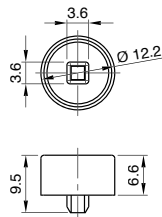
0



X



Round button

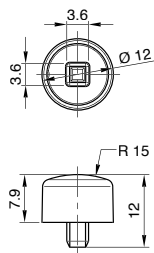


1K Standard

8K Painted

X custom

Soft Round button



3K Standard

9K Painted



SPM



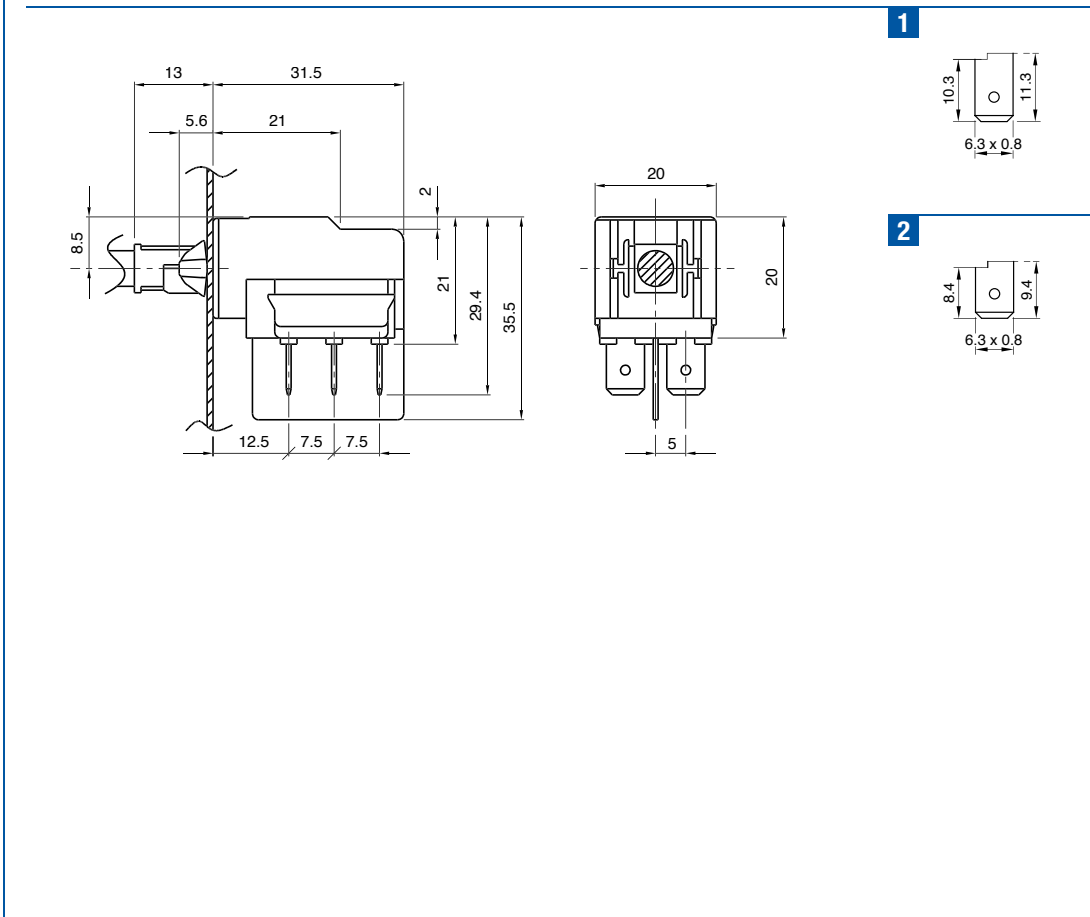
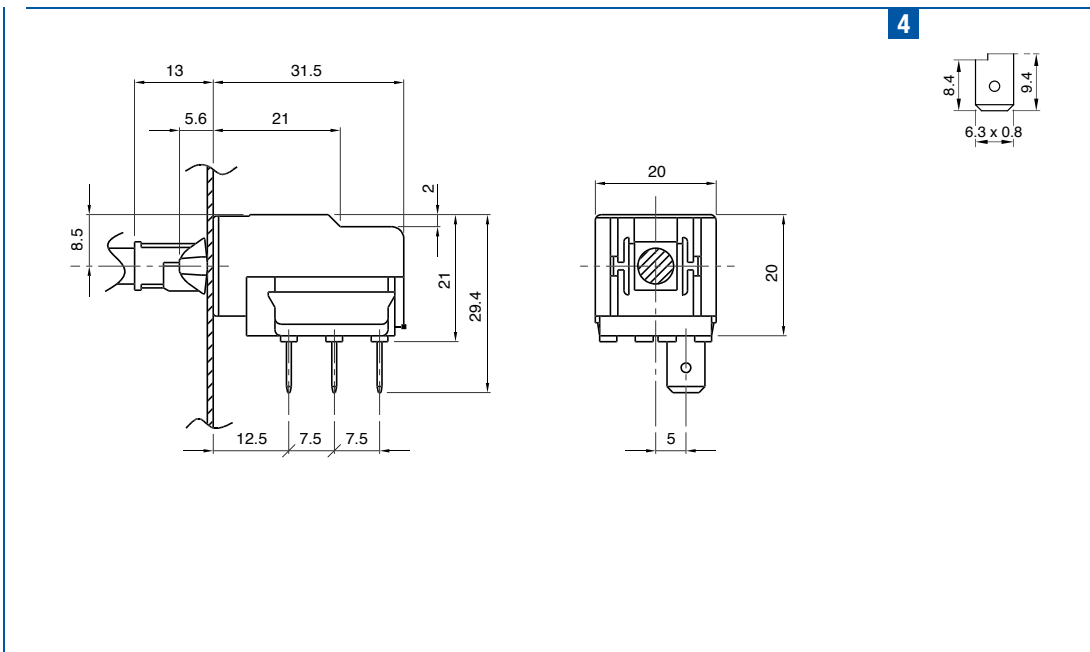
TYPICAL APPLICATIONS	Washing
FUNCTIONS	<ul style="list-style-type: none"> ■ SPST, momentary or not ■ SPDT ■ DPST, momentary or not ■ DPDT
CYCLE No.	50.000
CUT OUT	Rear panel
AMBIENT TEMPERATURE	125 °C
GWT	850 °C
GWT NO FLAME (<2sec)	750 °C (Rating C)

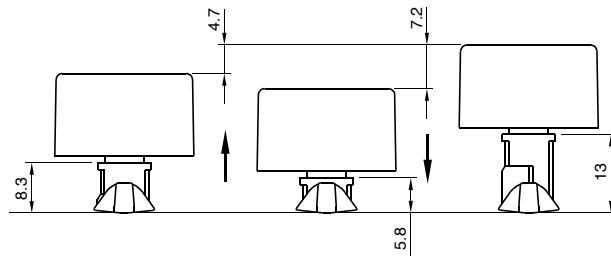
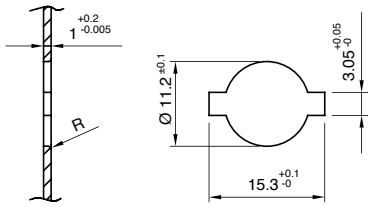
S P M

?

DRAWING

TERMINAL





TERMINAL	SHAFT	FUNCTION	RATING
S	P	M	0 0 0

?

SHAFT

?

FUNCTION

?

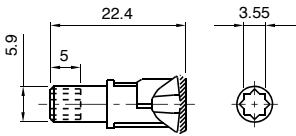
RATING

0

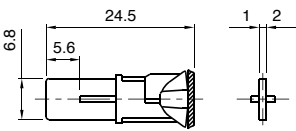
0

0

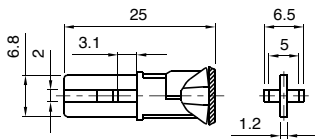
C



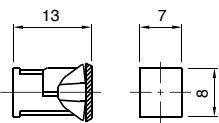
E



M



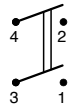
P



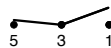
1



2



3



4



7



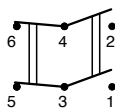
C



K



L



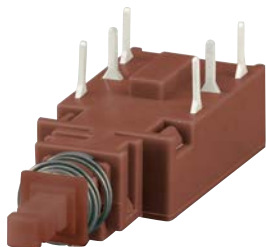
4

16 (8) A / 250 VAC
10 (6) A / 250 VAC - 5E4
10 A / 400 VAC
T125 °C
EN 61058

C

16 (8) A / 250 VAC
10 (6) A / 250 VAC - 5E4
10 A / 400 VAC
T125 °C
EN 61058

20 A / 125 VAC
16 A / 250 VAC
1/3 HP - 125 VAC
3/4 HP - 250 VAC
T65 °C
UL 1054
CSA C22.2



TOUCH

TYPICAL APPLICATIONS Cooker hoods, coffee machines, microwave

- FUNCTIONS**
- SPST, momentary or not
 - SPDT, momentary or not
 - DPST, momentary or not
 - DPDT, momentary or not

CYCLE No. 10.000

CUT OUT -

AMBIENT TEMPERATURE 110 °C

GWT 850 °C

GWT NO FLAME (<2sec) 750 °C

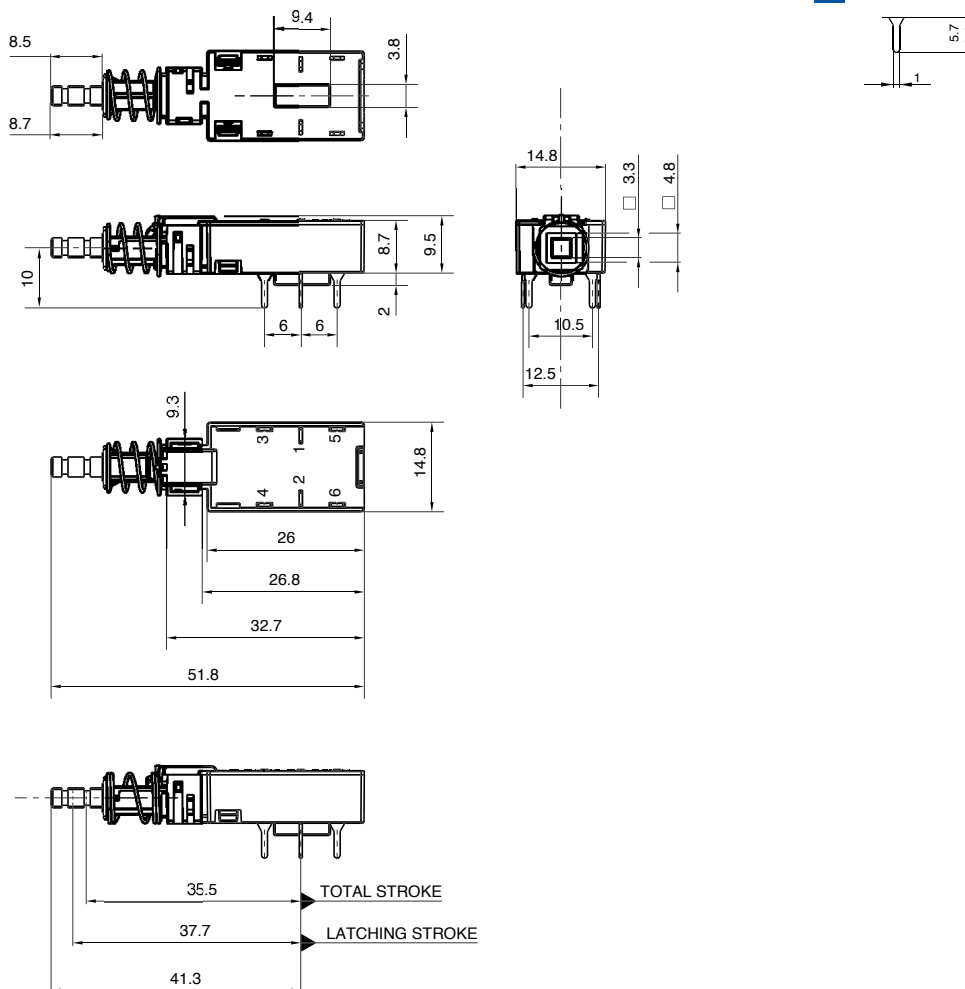


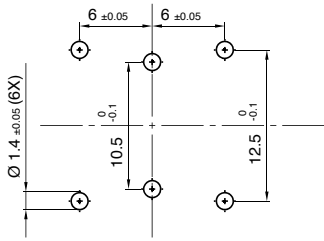
T O U C H

?

TERMINAL

4



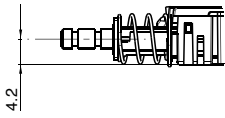


TERMINAL	SHAFT	FUNCTION	RATING								
T	O	U	C	H					0	0	W

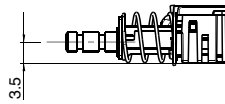
?

SHAFT

A



B



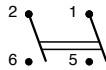
?

FUNCTION

1



2



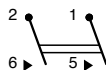
3



4



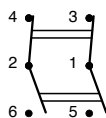
7



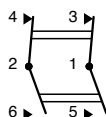
B



L



M



?

RATING

2

5 (2) A / 250 VAC
T85 °C
EN 61058

6 A / 125 VAC
T65 °C
UL 1054

3

8 (3) A / 250 VAC
T110 °C
EN 61058

6 A / 125 VAC
T65 °C
UL 1054

0

0

W



RFIT



TYPICAL APPLICATIONS	Coffee machines, washing machine
FUNCTIONS	<ul style="list-style-type: none"> ■ SPST, momentary or not ■ DPST, momentary or not ■ DPST, illuminated or not
CYCLE No.	50.000
CUT OUT	ø 20 mm
AMBIENT TEMPERATURE	125 °C
GWT	850 °C
GWT NO FLAME (<2sec)	750 °C on demand

R F I T ?

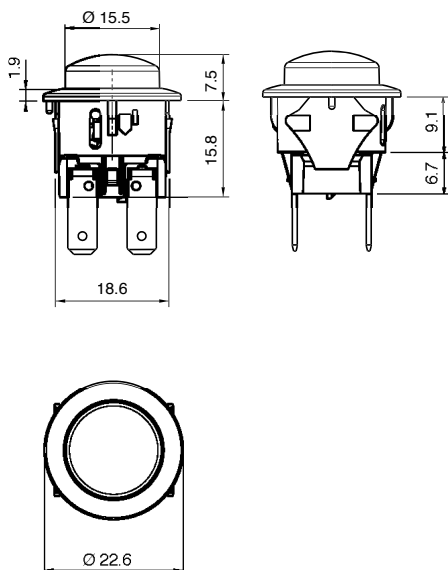
DRAWING

?

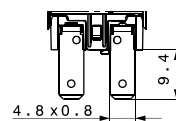
TERMINAL

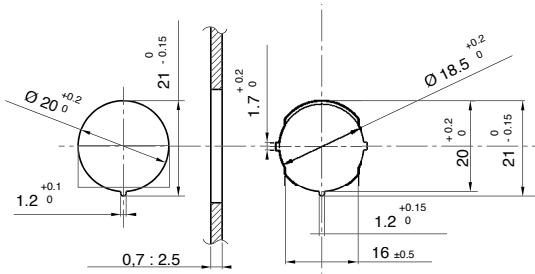


1



2





DRAWING	TERMINAL	FUNCTION	RATING	BODY COLOUR	BUTTON COLOUR	0	0	0	0	0
R	F	I	T							

?

FUNCTION

- 1**
- 2**
- 4**
- 7**
- 8**

?

RATING

- C**

16 (6) A / 250 VAC
 12 (10) A / 250 VAC
 8 (8) A / 250 VAC - 5E4
 T125 / 55 °C
 EN 61058

16 A - 125 / 250 VAC
 1 / 2 HP - 125 VAC
 3 / 4 HP - 250 VAC
 T65 °C (T100 °C on demand)
 UL 1054

?

BODY COLOUR

- 1** black
- 2** white

?

BUTTON COLOUR

- N** black
- M** white

0 0 0 0 0

ILLUMINATED

- E** green
- F** blue
- G** red
- H** orange
- X** custom



- Headquarter
- Production Site
- Sales Network



Everel Group S.P.A.

[Headquarter - Production Site]
Via Cavour, 9
37067 Valeggio sul Mincio (VR) - Italy
tel. +39 045 6313711
fax +39 045 6313730

Dreefs GmbH

[Production Site]
Ernst-Dreefs-Straße 7
96364 Marktrodach - Germany
tel. +49 9261 9610
fax +49 9261 961248

Everel Romania S.r.l.

[Production Site]
Calea Timisorii 109
Lipova - Arad - Romania
tel. +40 257 563087
fax +40 257 563086

www.everelgroup.com

